

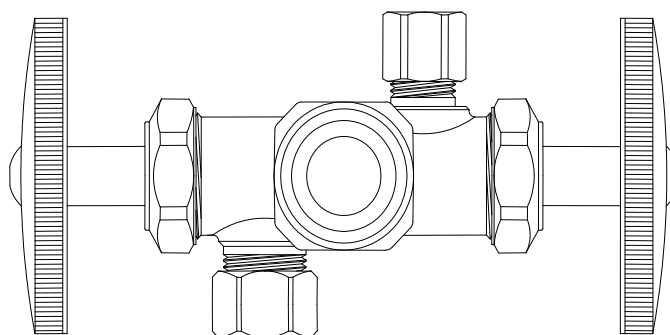
Job Name		Engineer / Architect	
Job Location		Wholesaler	
Submittal Date		Contractor	

R1700DV/ R1701DV - Multi-Turn Dual Outlet, Dual Shut-off Stop – Female Iron Pipe Inlet

Use: For use in potable water distribution systems. Not intended for recirculating water systems that produce continuous use temperatures above 115° F. For those applications, use BrassCraft KT series ball stops

Design Features:

- **Independent flow control.** Dual outlet, dual shut-off operation permits water flow to be controlled at one fixture while maintaining flow to the other fixture
- **Code approved replacement** for areas requiring separate shut-offs for two lines
- **Machined one-piece brass body** provides strength, durability and longer-lasting performance
- **Knurled oval handles** provide a secure grip and smooth on/off operation
- **Easy-to-remove handle** with screw attachment helps protect against accidental operation during the rough-in phase
- **Compliant Dual-Outlet, Dual-Shut-Off Stops** available for California and Vermont “low-lead” requirements



Operating Specifications:

Temperature: 40°- 140° F
Pressure: 125 psi maximum



Standard

MATERIAL SPECIFICATIONS	
Valve Body	C36000 brass
Stem	POM
Bib & Packing Washers	Nitrile or EPDM rubber
Packing Nut	C36000 brass
Handle	Plated metal
Handle Screw	Zinc-plated steel
Compression Sleeve	C36000 brass
Compression Nut	C36000 brass

Compliant

MATERIAL SPECIFICATIONS	
Valve Body	Compliant brass
Stem	POM
Bib & Packing Washers	Nitrile or EPDM rubber
Packing Nut	Compliant brass
Handle	Plated metal
Handle Screw	Zinc-plated steel
Compression Sleeve	C36000 brass
Compression Nut	C36000 brass

Standard Part Listing:

- R1700DV R 1/2" F.I.P. x 3/8" OD Compression x 1/4" OD Compression, rough brass
- R1701DV C 1/2" F.I.P. x 3/8" OD Compression x 3/8" OD Compression, chrome plated

This specification and all information contained herein is the confidential and exclusive property of BrassCraft Manufacturing, and shall not be disclosed to others without the written consent of BrassCraft. This specification must be returned to BrassCraft if requested.



R1700DV/ R1701DV - Multi-Turn Dual Outlet, Dual Shut-off Stop – Female Iron Pipe Inlet

Standard Part Listing (con't):

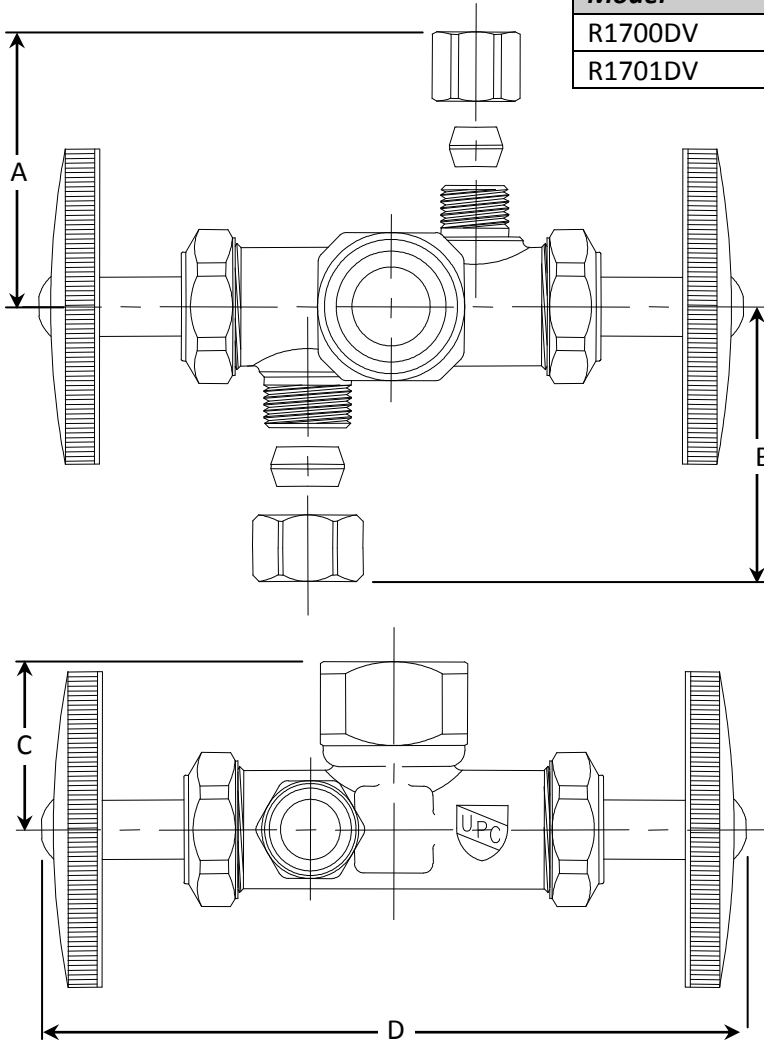
R1701DV R 1/2" F.I.P. x 3/8" OD Compression x 3/8" OD Compression, rough brass

Compliant Part Listing:

R1700DVX R 1/2" F.I.P. x 3/8" OD Compression x 1/4" OD Compression, rough brass

R1701DVX R 1/2" F.I.P. x 3/8" OD Compression x 3/8" OD Compression, rough brass

PART DIMENSIONS (Inches)			
Model	DIM. A	DIM. B	DIM. C
R1700DV	1.09	2.49	1.05
R1701DV	1.09	2.49	1.05



Listings & Certifications:

- IAPMO listed to ASME A112.18.1-05 / CSA B125.1-05 (File # 0645)
- CSA listed to ASME A112.18.1-05 / CSA B125.1-05 (File # 204593)
- Compliant product CSA approved to California Health & Safety Code 116875 and Vermont Bill S.152 (Project # 2174785)



This specification and all information contained herein is the confidential and exclusive property of BrassCraft Manufacturing, and shall not be disclosed to others without the written consent of BrassCraft. This specification must be returned to BrassCraft if requested.

BrassCraft®